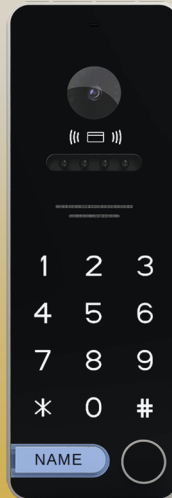


VIDEO KAMERA

OPERATING AND INSTALLATION INSTRUCTIONS
Model: OR-VID-EX-1061KV



SAFETY NOTES:

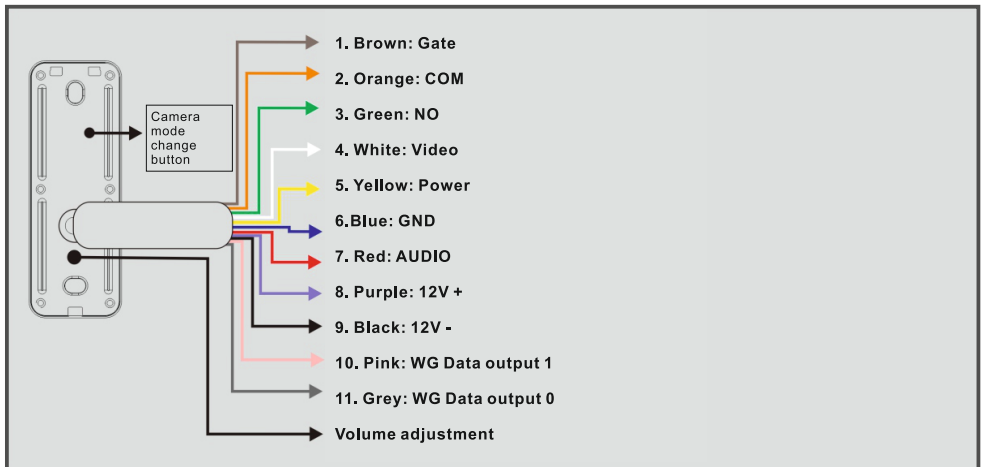
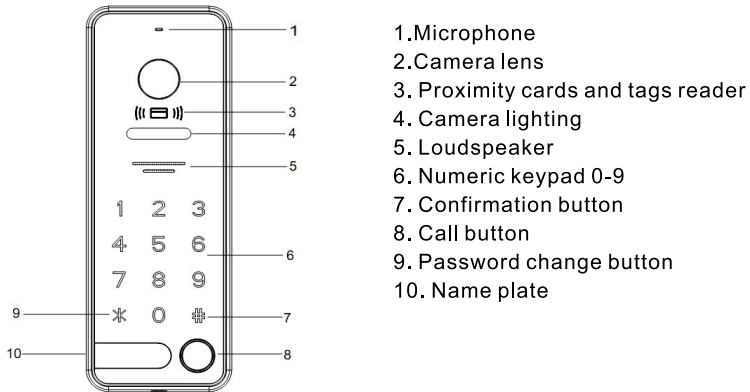
Please read this manual carefully before connecting and using the device. In case something written herein is unclear, please contact the seller. Installation and commissioning of the equipment by the customer are possible if the installer has basic knowledge of electrical systems and the use of proper tools. Nevertheless, the device installation by qualified personnel is recommended.

The manufacturer is not responsible for any damage that can result from improper device installation or operation. Any repair or modification carried out by yourselves results in loss of guarantee.

In view of the fact that the technical data are subject to continuous modifications, the manufacturer reserves a right to make changes to the product characteristics and to introduce different constructional solutions without deterioration of the product parameters or functional quality. Any translation/interpretation rights and copyright in relation to this Manual are reserved.

1. Disconnect the power supply before performing any activities.
2. Do not immerse the product in water or other liquids.
3. Do not operate the device with damaged housing.
4. Do not open or repair the device yourself.
5. Do not use the device contrary to its dedication.

EXTERNAL PANEL CONSTRUCTION



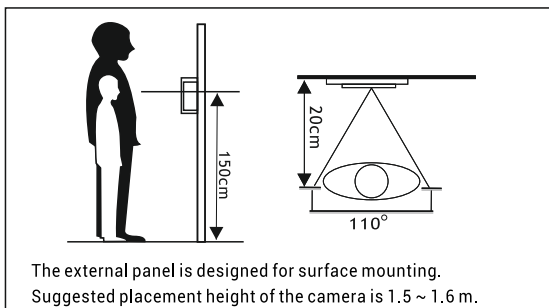
Main features and functions:

- an element of the VIBELL video-intercom system
- camera viewing angle: 110° (horizontal), 57° (vertical)
- white, illuminating LEDs to increase visibility in the dark and at night
- waterproof housing
- Wiegand function
- proximity card/tag unlocking function
- password unlock function on the numeric keypad
- power consumption: 3W
- adjustable volume level

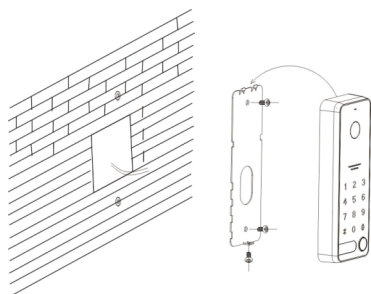
EXTERNAL PANEL INSTALLATION

Proper placement of the external panel determines the comfort of working with the device, therefore it is recommended to adjust the mounting location and test the operation of the device before making mounting holes. For this purpose, connect the device according to the wiring diagram, carefully inspect the field of view of the camera and test it.

Video intercom cables should not be laid in one cable with cables of other installations e.g. doorbell, alarm etc. Any power and telecommunication cables emitting strong magnetic fields (e.g. loudspeakers, TV set) in direct contact with the wires connecting the external panel with the monitor may adversely affect the set's operation.



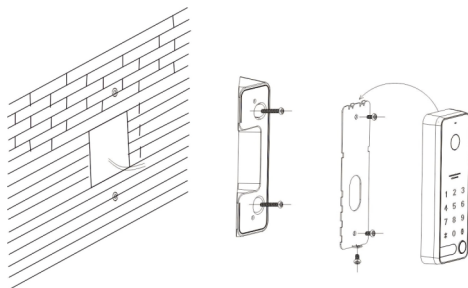
1. Surface mounting



1. Separate the mounting frame from the external panel.
2. Drill two holes and fix the frame to the wall (post).
3. Pass the wires through the hole in the mounting frame and connect them to the panel as shown in the wiring diagram.
4. Attach the external panel to the frame.
5. Screw the bottom screw of the external panel to the frame.

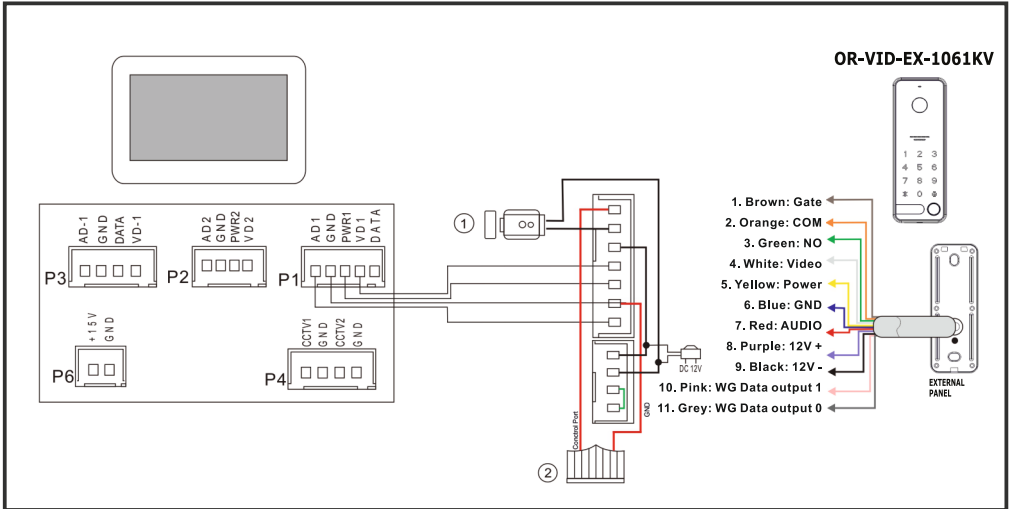
2. Surface mounting at an angle 30°

1. Loosen the bottom screw on the external panel and separate the mounting frame from it.
2. Fix the angle bracket and then the mounting frame to the wall with 2 screws.
3. Pass the wires through the hole in the mounting frame and connect them to the panel as shown in the wiring diagram.
5. Attach the external panel to the frame.
6. Screw the bottom screw of the external panel to the frame.



WIRING DIAGRAM

Wiring diagram - proximity card and tag function



For this connection, wires 10 and 11 (pink and grey) must be shorted!

The external panel cooperates with video monitors of VIBELL series. The set does not include an electric door opener and gate automatics.

While designing the wiring system, take into account the suitable cross-section of cables:
 up to 30 m - recommended cable XzTKMXpw 3 x 2 x 0.5 mm²
 from 30 m to 100 m - recommended cable XzTKMXpw 3 x 2 x 0.8 mm²

The connection to the electromagnetic lock should be made with 2 x 1 mm².

**The set is compatible with any electric door strike with voltage of 12V DC (not included).
 When connecting, keep the correct polarity as shown in the diagram!**

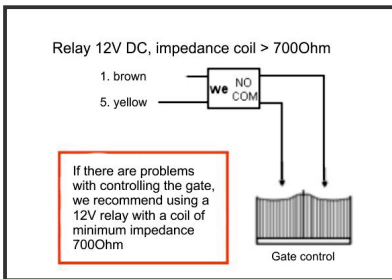
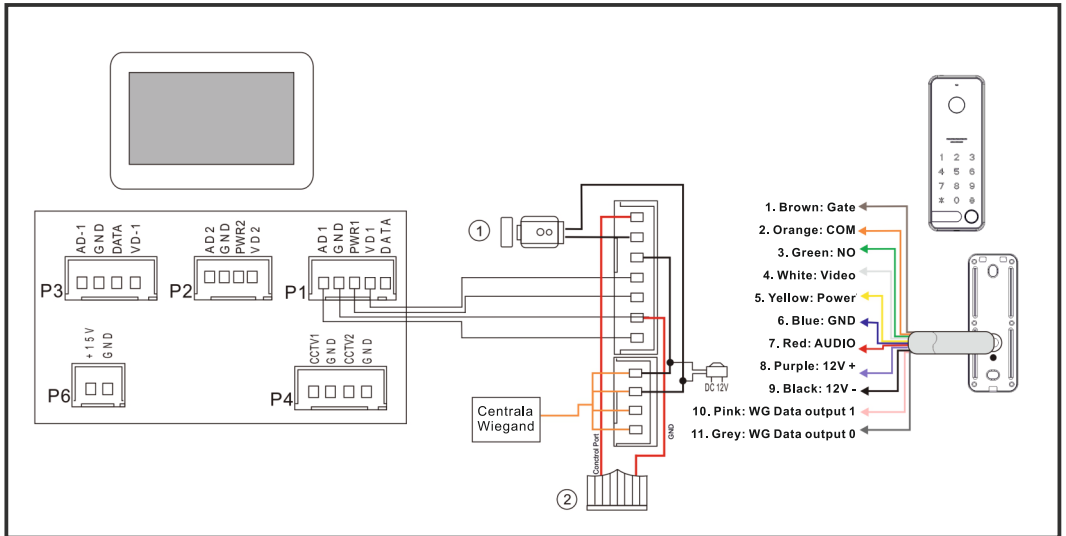
The total length of the installation must not exceed 100 meters.
 The use of twisted-pair cables is absolutely not recommended.

SAFETY PRECAUTIONS

Do not install the camera where the camera lens will be directly exposed to sunlight or strong lighting. If light falls directly on the lens of the outdoor camera, the image will be overexposed; white or only outlines will be visible.

Do not use cleaning agents based on solvents, petrol, etc. or agents containing abrasive substances. Clean dirt only with a soft damp cloth and a small amount of detergent designed for cleaning plastic parts.

Wiring diagram with Wiegand control panel



OPERATION OF DEVICE

IMPORTANT: When power is first applied, the keypad will enter MASTER card/tag logging mode. When an intermittent beep-beep sounds from the external cassette, read the card/tag and mark it as MASTER.

1. Adding a proximity card/tag

To add a user card/tag, hold the master card/tag close to the reader, if the LEDs are illuminated load the user cards/tags one by one. When the card/tag is brought close to the reader, a beep will sound, indicating that the card/tag has been successfully registered.

When you have finished registering cards or tags, load the registered tag/card or do not take any action for about 30 seconds and the external panel will automatically exit the add new users function. Each time you want to add more new users, load the master card/tag first.

A maximum of 150 users can be added.

2. Deleting all users

Aby usunąć wszystkie zarejestrowane karty/breloki zbliż 4-krotnie kartę lub brelok główny do czytnika, a następnie zarejestruj nowe karty/breloki.

If a master card/tag is lost, disconnect the power and remove the rear cover of the external panel, connect the power and press the RST button (figure below). All user cards/tags will be deleted. The master card and user cards must be re-registered.



RESET button

3. Unlocking the door with the password

(1) Password change

Briefly press the change password button "*" and then enter the old unlock password on the numeric keypad (factory set password: 123456) and confirm with "#". Now enter the new unlock password and confirm again with "#". The password will be successfully changed after re-entering the new password.

Example: press "*" briefly, enter factory password: 123456, press "#", new password: 111111, press "#" and again new password: 111111, and again press "#". The password has been successfully changed.

Note: the new password can be up to 8 characters long.

(2) Door opening

Enter the password for unlocking on the numeric keypad and confirm with "#". The door lock will be unlocked.

TECHNICAL DATA

1	Communication method	Headset-free
2	Connection type	4 wires + 2
3	Audio signal	300mVp-p 300 Ohm
4	Video signal	1Vp-p 75 Ohm
5	Camera	CVBS/720P/1080P
6	Night vision	IR backlighting
7	Minimum lighting	0.1 LUX (0.5M)
8	Camera viewing angle	110° (horizontal) 57° (vertical)
9	Operating mode	Touch screen keypad
10	Supply voltage	DC 12-15V from monitor
11	Power supply for the keypad, door opener	12VDC, 1.5A
12	Reader range	≤ 20mm
13	Maximum number of user cards	150 pcs
14	Power consumption	3W
15	Working temperature	-25° - +60°
16	Storage temperature	-30° - +60°
17	Ingress protection	IP65
18	Dimensions	55 x 152 x 22mm
19	Net weight	0.226kg

Each household is a user of electrical and electronic equipment, and hence a potential producer of hazardous waste for humans and the environment, due to the presence of hazardous substances, mixtures and components in the equipment. On the other hand, used equipment is valuable material from which we can recover raw materials such as copper, tin, glass, iron and others. The weee sign placed on the equipment, packaging or documents attached to it indicates the need for selective collection of waste electrical and electronic equipment. Products so marked, under penalty of fine, cannot be thrown into ordinary garbage along with other waste.



The marking means at the same time that the equipment was placed on the market after August 13, 2005. It is the responsibility of the user to hand the used equipment to a designated collection point for proper processing. Used equipment can also be handed over to the seller, if one buys a new product in an amount not greater than the new purchased equipment of the same type. Information on the available collection system of waste electrical equipment can be found in the information desk of the store and in the municipal office or district office. Proper handling of used equipment prevents negative consequences for the environment and human health!

ORNO-LOGISTIC Sp. z o.o.

ul. Rolników 437, 44-141 Gliwice tel. 32 43 43 110, www.orno.pl